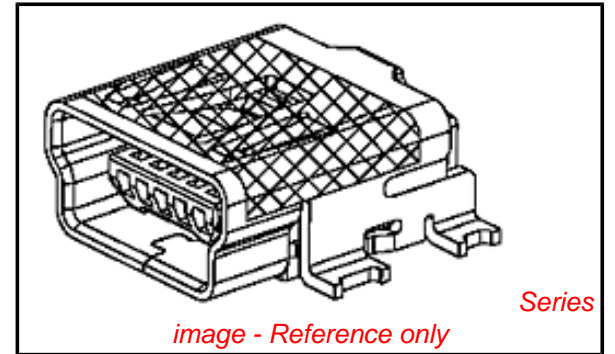


**PLEASE CHECK WWW.MOLEX.COM FOR LATEST PART INFORMATION**

**Part Number:** [0675032020](#)  
**Status:** **Active**  
**Overview:** [usb\\_otg\\_onthego](#)  
**Description:** 0.80mm (.031") Pitch, USB On-The-Go (OTG) Mini-B Receptacle, Surface Mount, Right Angle, Solder Tabs with Back Cover and PCB Locator Plastic 1.00mm (.039") Pegs, Lead Free

**Documents:**

[3D Model](#) [Product Specification PS-67803-001 \(PDF\)](#)  
[Drawing \(PDF\)](#) [RoHS Certificate of Compliance \(PDF\)](#)



*image - Reference only*

**General**

Product Family	I/O Connectors
Series	<a href="#">67503</a>
Application	Wire-to-Board
Comments	With Back Cover and 1.00mm (.039") Plastic Peg  Packaging Specs PK-67503-003
Component Type	Receptacle
Overview	<a href="#">usb_otg_onthego</a>
Product Name	USB OTG (On-The-Go)
Type	Mini-B

**Physical**

Boot Color	N/A
Circuits (Loaded)	5
Circuits (maximum)	5
Color - Resin	Black
Gender	Receptacle
Lock to Mating Part	Yes
Material - Metal	Copper Alloy
Material - Plating Mating	Gold
Material - Plating Termination	Tin
Material - Resin	High Temperature Thermoplastic
Number of Rows	1
Orientation	Right Angle
PCB Locator	Yes
PCB Retention	Yes
Packaging Type	Embossed Tape on Reel
Panel Mount	No
Pitch - Mating Interface (in)	0.031 In
Pitch - Mating Interface (mm)	0.80 mm
Pitch - Term. Interface (in)	0.031 In
Pitch - Term. Interface (mm)	0.80 mm
Plating min: Mating (µin)	30
Plating min: Mating (µm)	0.75
Plating min: Termination (µin)	40
Plating min: Termination (µm)	1
Polarized to Mating Part	Yes
Polarized to PCB	Yes
Ports	1
Temperature Range - Operating	0°C to +50°C
Termination Interface: Style	Surface Mount
Waterproof / Dustproof	No
Wire Size AWG	N/A

**Electrical**

**EU RoHS**

**ELV and RoHS  
Compliant**  
**REACH SVHC**  
 Not Reviewed  
**Halogen-Free  
Status**  
 Not Reviewed

**China RoHS**



**Need more information on product  
environmental compliance?**

Email [productcompliance@molex.com](mailto:productcompliance@molex.com)  
 For a multiple part number RoHS Certificate of  
 Compliance, [click here](#)

Please visit the [Contact Us](#) section for any  
 non-product compliance questions.

**Search Parts in this Series**

[67503Series](#)

**Mates With**

[47014 USB Mini-B Plug Kit](#)

Current - Maximum per Contact	1A
Shield Type	Full Shield
Shielded	Yes
Voltage - Maximum	30V AC (RMS)/DC

### **Material Info**

### **Reference - Drawing Numbers**

Packaging Specification	PK-67503-001, PK-67503-003
Product Specification	PS-67803-001
Sales Drawing	SD-67503-010

This document was generated on 05/19/2010

**PLEASE CHECK [WWW.MOLEX.COM](http://WWW.MOLEX.COM) FOR LATEST PART INFORMATION**

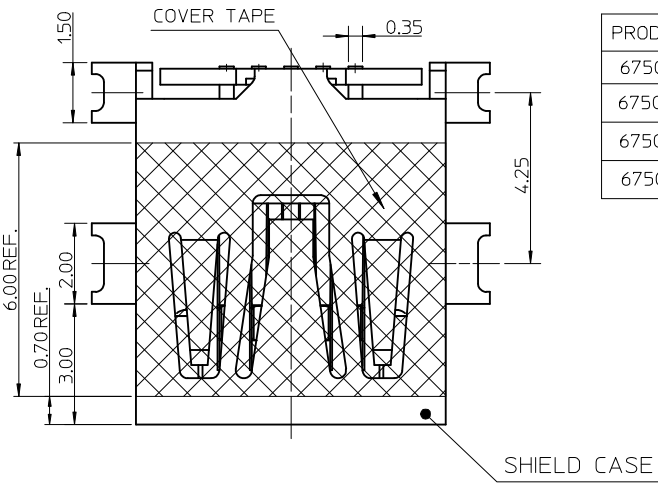
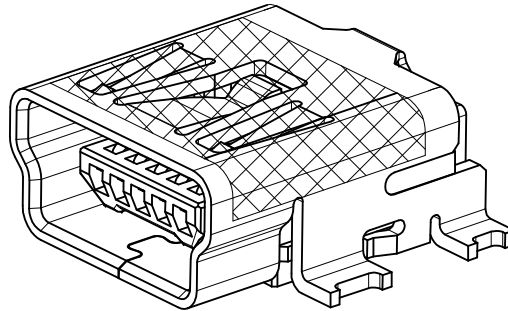


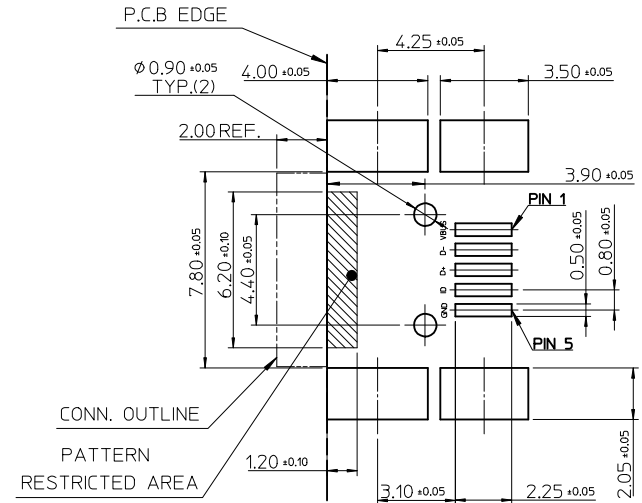
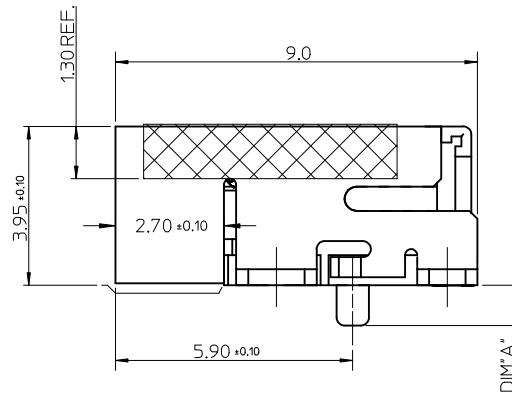
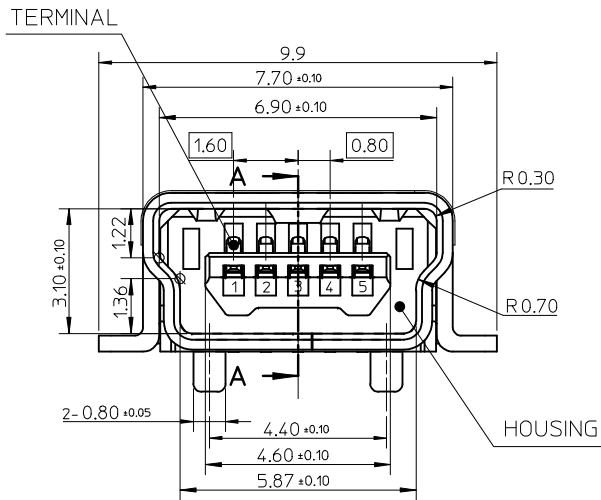
TABLE:

PRODUCT NO.	PACKAGE DOCUMENT	DIM*A"	REMARK
67503-1020	PK-67503-001	1.00	N/A
67503-2020	PK-67503-003	1.00	
67503-1030	PK-67503-001	0.80	HALOGEN FREE
67503-1120	PK-67503-001	1.00	

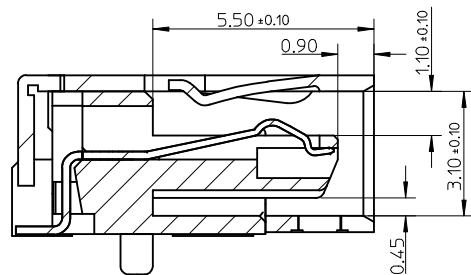


NOTE :

- MATERIAL :  
HOUSING : HIGH TEMPERATURE THERMAL PLASTIC ,  
BLACK,UL94V-0  
TERMINAL : COPPER ALLOY THICKNESS = 0.2 MM  
SHIELD CASE : COPPER ALLOY THICKNESS = 0.4 MM
- PLATING :  
TERMINAL:  
CONTACT AREA : GOLD 0.75 MICROMETER MINIMUM.  
SOLDER TAIL AREA : PURE TIN 1~3 MICROMETER PLATING.  
UNDER PLATING : NICKEL 1.25 MICROMETER MINIMUM.  
SHIELD CASE :  
PURE TIN 1~3 MICROMETER PLATING.  
UNDER PLATING : NICKEL 1.0 MICROMETER MINIMUM.
- TAIL & NAIL COPLANARITY 0.1 mm MAXIMUM.
- PRODUCT SPECIFICATION REFER TO PS-67803-001.
- PACKAGING INFORMATION REFER TO TABLE.
- COMPLIANT TO RoHS DIRECTIVE 2002/95/EC AND ELV DIRECTIVE 2000/53/EC.



RECOMMENDED P.C.B. PATTERN LAYOUT



SECTION A-A

ADD PART NUMBER EC NO: SH2009-0651 DRWN:XJSONG 2009/05/18 CHKD:XJSONG 2009/05/19 APPR:HWANG 2009/07/17	REV	DESCRIPTION	QUALITY SYMBOLS
			<p>▽=0</p> <p>◁=0</p>

GENERAL TOLERANCES (UNLESS SPECIFIED)	mm	INCH
	4 PLACES ± ---	± ---
3 PLACES ± ---	± ---	
2 PLACES ± 0.25	± ---	
1 PLACE ± 0.25	± ---	
ANGULAR ± 3 °		
DRAFT WHERE APPLICABLE MUST REMAIN WITHIN DIMENSIONS		

DIMENSION STYLE		SCALE	DESIGN UNITS	THIRD ANGLE PROJECTION
MM ONLY		8:1	METRIC	
DRAWN BY	DATE	TITLE		
LXWANG	2004/11/29	USB SERIES MINI-B REC. ASS'Y SMT TYPE (LEAD FREE)		
CHECKED BY	DATE	MOLEX INCORPORATED		
HARVEY	2004/11/29	MATERIAL NO. SD-67503-010		
APPROVED BY	DATE	DOCUMENT NO.		
YTYAP	2004/11/29	SHEET NO. 1 OF 1		

MATERIAL NO.		DOCUMENT NO.		SHEET NO.
SEE TABLE		SD-67503-010		1 OF 1
THIS DRAWING CONTAINS INFORMATION THAT IS PROPRIETARY TO MOLEX INCORPORATED AND SHOULD NOT BE USED WITHOUT WRITTEN PERMISSION				